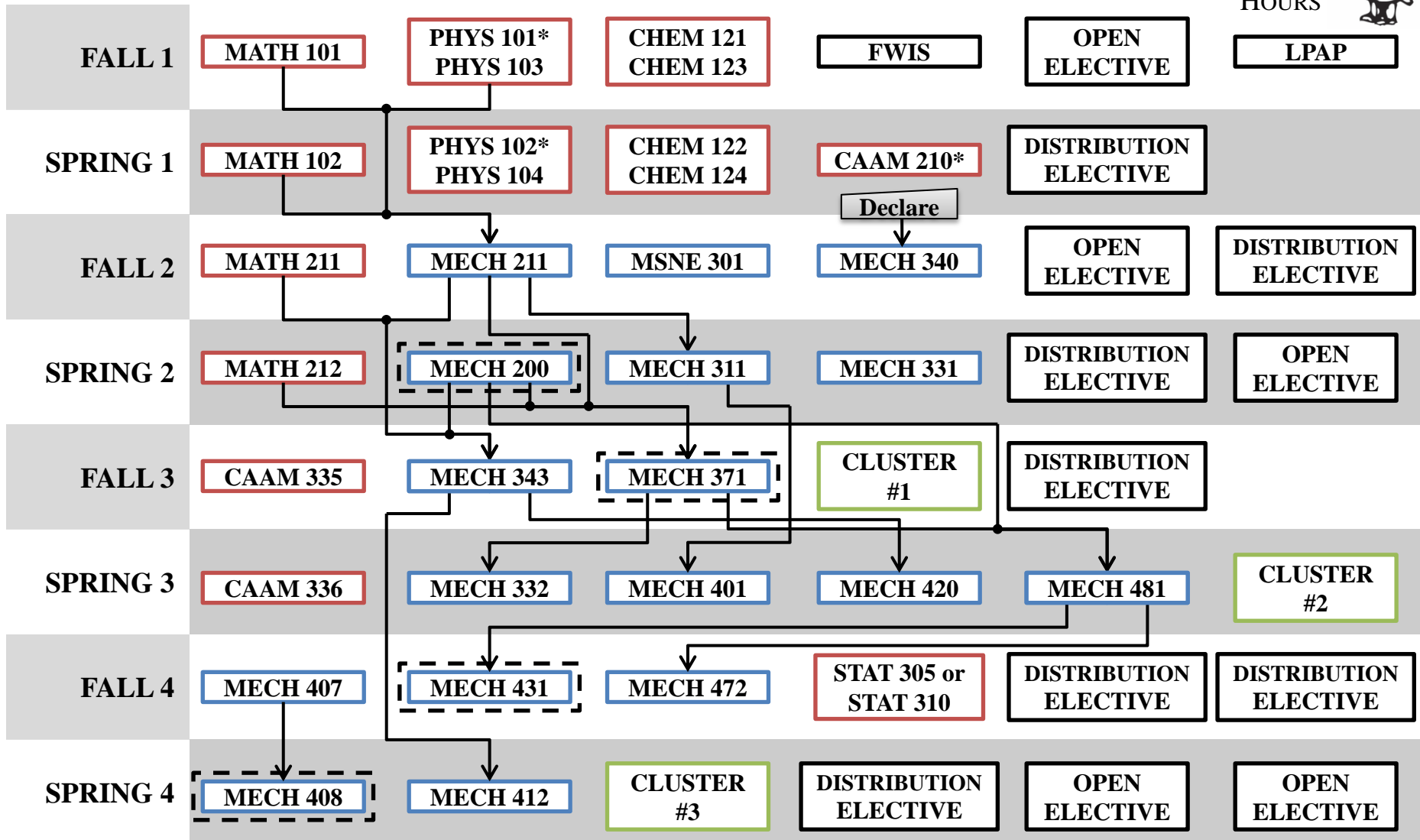


# RICE UNIVERSITY – B.S. IN MECHANICAL ENGINEERING

SAMPLE FOUR-YEAR B.S.M.E. DEGREE PLAN FLOWCHART - ONE EXAMPLE OF MANY POSSIBLE SCHEDULES

132  
CREDIT  
HOURS

**MECH CLUSTERS** Group A (2 required): MECH 400, 403, 411, 417, 454, 474, 488, 498, 555, 594; MSNE 402  
Group B: 300 and higher level courses offered within the George R. Brown School of Engineering

Dept.  
Permission  
Required

\*In addition to class hours, these courses have a regularly scheduled lab that must fit into your schedule.

Online Resources:

[ga.rice.edu](http://ga.rice.edu)

[engineering.rice.edu](http://engineering.rice.edu)

[mech.rice.edu](http://mech.rice.edu)

rev. 5/16